

G1330GL-MK Glass Door Cam Lock

Features

- Interchangeable cylinder lock with master key system
- Allows key management and cylinder replacement is easy in case key is lost
- Key and cam rotate clockwise when locked. Key can be removed when locked and unlocked
- 7,800 key changes available (max. 750 per master key)
- Simple design for cylinder ring and hidden cam when locked
- Keys can be shared with **G1830-MK** and **G6830-30MK** series

Notes

- Cylinder can be changed by using change key **GMD-K1**

Parts Included

- Countersunk head wood screw 2.7×13 (SUS)

Sold Separately

- Cylinder **GMD-N1**

Optional Parts

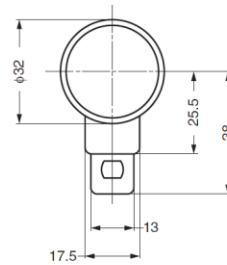
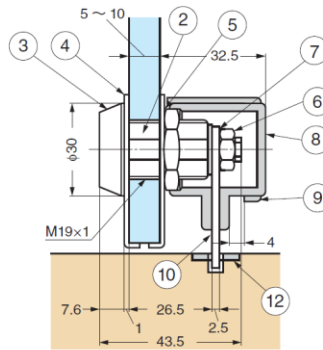
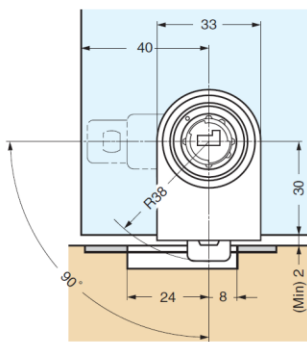
- Master key **GMD-MK1**
- Change key **GMD-K1**



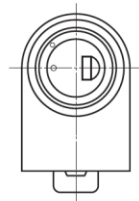
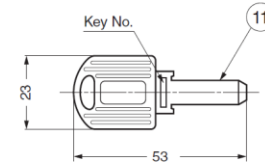
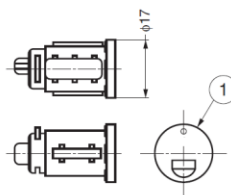
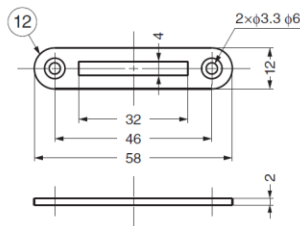
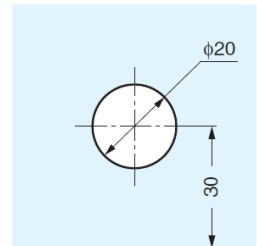
G1330GL-MKGA

G1330GL-MKDN

※Cylinder and key are sold separately



Cut Out Dimensions



No.	Part Name	Material	Finish/Colour
①	Cylinder (Sold Separately)	Stainless Steel (SUS304)/Zinc Alloy (ZDC)	Polished, Yellow Zinc Chromate
②	Housing	Zinc Alloy (ZDC)	GA : Gold, Paint/Clear, DN : Satin Nickel
③	Ring	Brass	GA : Gold, Paint/Clear, DN : Satin Nickel
④	Front Plate	Stainless Steel (SUS304)	GA : Gold, Paint/Clear, DN : Plain
⑤	Large Hex Nut	Steel	Yellow Zinc Chromate
⑥	Small Hex Nut	Steel	Yellow Zinc Chromate
⑦	Washer	Steel	Clear Zinc Chromate
⑧	Cover	Polypropylene (PP)	Black
⑨	Ring	Polypropylene (PP)	Black
⑩	Cam	Stainless Steel (SUS304)	Polished
⑪	Key (Sold Separately)	Brass/ABS	Nickel/Black
⑫	Strike	Stainless Steel (SUS304)	Polished

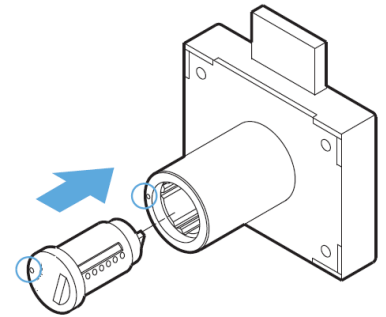
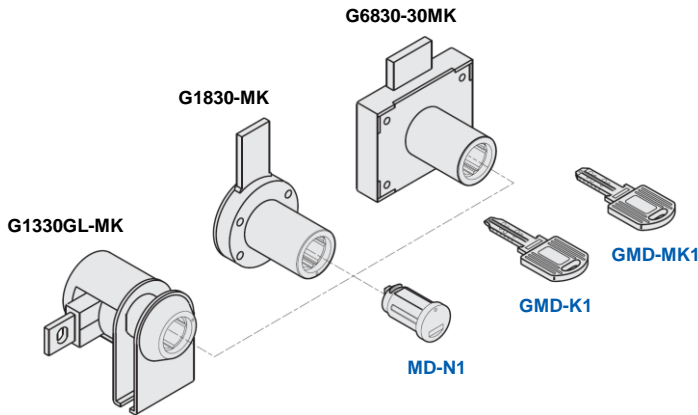
※Cylinder ① and Key ⑪ are sold separately.

Part No.	Finish	Glass Thickness
G1330GL-MKGA	Gold, Paint / Clear	5 ~ 10
G1330GL-MKDN	Satin Nickel	

GMD Interchangeable Lock Series

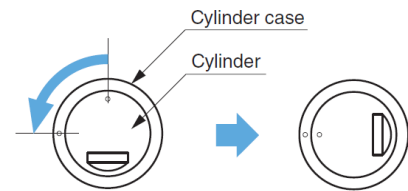
Features

- Cylinder changeable type with master key system
- Interchangeable system allows easy key management
- 7,800 key changes available
- Master key (sold separately) can manage different key numbers (max. 750 key changes per master key)
- Reversible key



Place two dots in the same position and insert the cylinder.

How to Remove the Cylinder



Turn cylinder by using the Change Key (optional parts)

Place two dots in the same position

GMD-N1 Interchangeable Cylinder

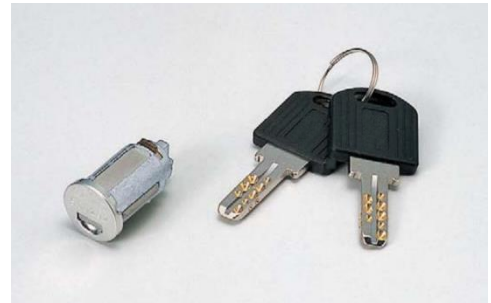
Features

- For G6830-30MK, G1830-MK and G1330GL-MK
- 7,800 key changes available (max. 750 key changes per master key)

Material

- Stainless steel 304 (polished) / Zinc alloy (yellow zinc chromate finish)

Part No.	Type
GMD-N1-B	Keyed Differently
GMD-N1-D	Keyed Alike



GMD-K1 / MK1 Change & Master Key

Features

- GMD-MK1: Master key for easy key management
- GMD-K1: Change key to remove existing cylinder

Material

- Brass (nickel finish) / ABS (black)

Part No.	Type
GMD-MK1	Master Key
GMD-K1	Change Key

